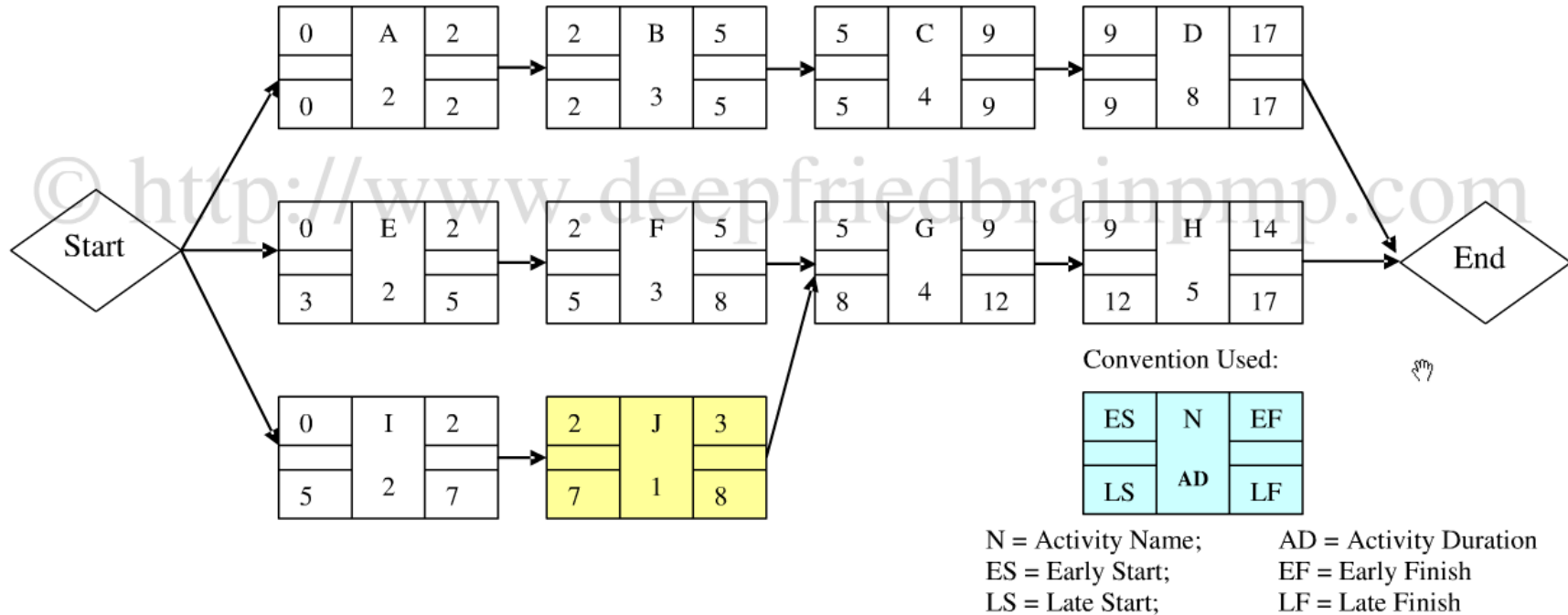


Total Float vs. Free Float

What is the Total Float and the Free Float for Activity F and J?



For Activity J in this example:

$$\text{Total Float} = \text{LF of J} - \text{EF of J} \Rightarrow 8 - 3 = 5$$

$$\text{Free Float} = \text{ES of G} - \text{EF of J} \Rightarrow 5 - 3 = 2$$

Note: Free float can only occur when two or more activities share a common successor.